



# ACCESSORIES

## OL800 SOLAR OBSTRUCTION LIGHT

Carmanah's OL800 Obstruction Light for tower and hazard marking come with a range of accessories including durable mounting hardware, frangible couplings and a selection of replacement parts.

### MOUNTING

REF.	PART NO.	DESCRIPTION
2A	65714	Standard mounting plate (1.5" pipe x 18" installed height)
2B	65717	Extended mounting plate (1.5" pipe x 24" installed height)
3	65711	Frangible coupling (1.5" pipe socket x 2" thread w/ set screws)
4	50144	Floor flange (2" thread)

### HARDWARE

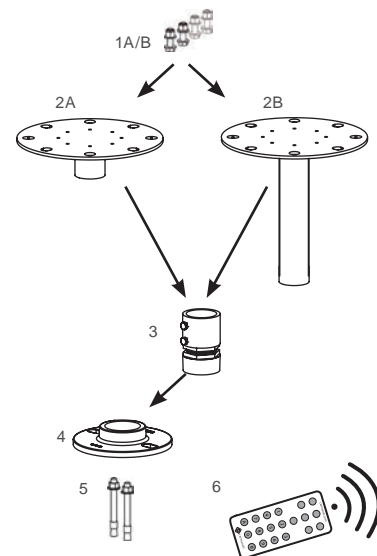
REF.	PART NO.	DESCRIPTION
1A	71757	Bolt kit (1/2-13 UNC x 2" long x 4)
5	46397	Wedge anchor bolt kit (3/8" x 3.75" long x 4)
1B	71884	Security bolt kit, not including driver or socket (1/2-13 UNC x 2" long, x 2 security, x 2 hex head)
-	69934	Bird deterrent, single

### BATTERY

REF.	PART NO.	DESCRIPTION
-	69954	Battery replacement kit - compact
-	69955	Battery replacement kit - standard
-	69956	Battery replacement kit - large

### TOOLS

REF.	PART NO.	DESCRIPTION
6	69899	IR programmer, slim, Carmanah-branded
-	53288	Security bolt kit driver
-	53289	Security bolt kit socket
-	48984	Tool kit
-	30768	Security screw bit (5/32" hex with center pin)
-	69885	Battery charger (100 - 240 VAC 50/60 Hz input, multiple ends for intl. use)



Specifications may be subject to change.

US and International patents apply. Other patents pending.

"Carmanah" and Carmanah logo are trademarks of Carmanah Technologies Corp.





# ACCESSORIES

OL4 & OL2A SOLAR OBSTRUCTION LIGHTS

Carmanah's OL4 and OL2A Obstruction Lights for towers, cranes and hazard marking come with a range of accessories including durable mounting hardware, frangible couplings and a selection of replacement parts.

## OL4 SERIES ACCESSORIES

### MOUNTING

REF.	PART NO.	DESCRIPTION
2A	66699	Standard mounting plate (14" installed height)
2B	69752	Extended mounting plate (24" installed height)
3	65711	Frangible coupling, 1.5" pipe x 2 thread
4	50144	Floor flange, 2" thread
-	61867	Magnetic mounting kit (3 x magnets) ideal for mounting on cranes
-	61876	Magnetic sign mounting kit
-	61869	Fence mounting kit with hardware

### BATTERY & HARDWARE

REF.	PART NO.	DESCRIPTION
-	72835	Battery replacement kit
1A	38334	Bolt kit (1/4-20 UNC x 1.5" long x3)
5	46397	Wedge anchor bolt kit (3/8" x 3.75" long x4)
1B	56578	Security bolt kit (1/4-20 UNC x 1.5" long x3) driver or socket not included

### TOOLS

REF.	PART NO.	DESCRIPTION
6	69899	IR programmer, slim, Carmanah-branded
-	53284	Security bolt kit driver
-	53285	Security bolt kit socket
-	59198	Bottom cover tool
-	57394	USB harness for device manager

## OL2A SERIES ACCESSORIES

### MOUNTING

REF.	PART NO.	DESCRIPTION
-	61867	Magnetic mounting kit (3 x magnets) ideal for mounting on cranes
-	61876	Magnetic sign mounting kit

### BATTERY & HARDWARE

REF.	PART NO.	DESCRIPTION
-	70955	Battery replacement kit (3x batteries)
1A	38334	Bolt kit (1/4-20 UNC x 1.5" long x3)
1B	53290	Security bolt kit (1/4-20 UNC x 1.5" long x2) driver or socket not included

### TOOLS

REF.	PART NO.	DESCRIPTION
6	69899	IR programmer, slim, Carmanah-branded
-	53284	Security bolt kit driver
-	53285	Security bolt kit socket

Specifications may be subject to change.

US and International patents apply. Other patents pending.

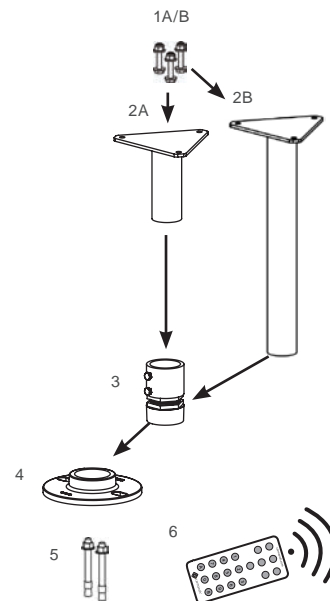
"Carmanah" and Carmanah logo are trademarks of Carmanah Technologies Corp.



OL4 SERIES



OL2A SERIES



SARTELCO® SISTEMI SRL

Via Torri Bianche, 1  
20871 Vimercate (MB)

Tel. +39- 039- 62905.1 Fax. +39- 039- 62905.99  
e-mail sistemi@sartelco.it Web [www.sartelco.it](http://www.sartelco.it)