

M850

Solar Powered LED Marine Lantern, 3 to 6+ NM Range

The M850 combines a compact, high-efficiency solar engine with premium components and a rugged design for best-in-class performance at an optimal price. This lantern is suitable for use in most solar locations. To view performance in your installation location, visit www.carmanahmarine.com/selector.

- Option for standard or wide divergences (for fixed or floating applications)
- Multiple cost-effective battery pack options suitable for a wide variety of installation locations
- Built-in calendar function for automatic de-activation during off-season months
- Top-mounted 4-character LED display with simple »tap to activate« functionality
- Premium grade, UV resistant polycarbonate lens material
- Environmentally friendly, super durable powder-coated aluminium chassis
- Adjustable intensity and range
- IP 68 rated
- GPS synchronized flash option

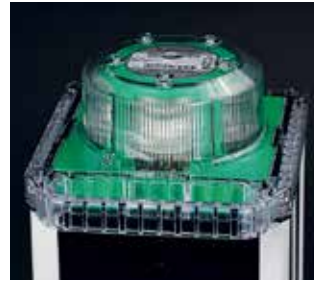




Top-mounted Display
Easily check light settings with a »tap-to-activate« digital display.



Infrared Programmer
Check battery state of charge, program flash codes, set intensities and more.



Optical Assembly
Durable, UV resistant optical lens with options for standard (8°) or wide (10°) divergence.



Scalable Battery Pack
Multiple replaceable, recyclable battery pack options for reliable, cost-effective performance in a variety of installation locations.



Visible Colour Indicator
LED colour is clearly indicated by the colour of the lantern head.



External Charge Port
Optional charge port in the lantern base allows for easy overnight charging via wall plug.



Installation
Supports installation on structure using 3 x M12 bolts, 4 X M12 bolts, or 5 x M12 bolts on a 200 mm diameter. Standard and security bolt kits are available.

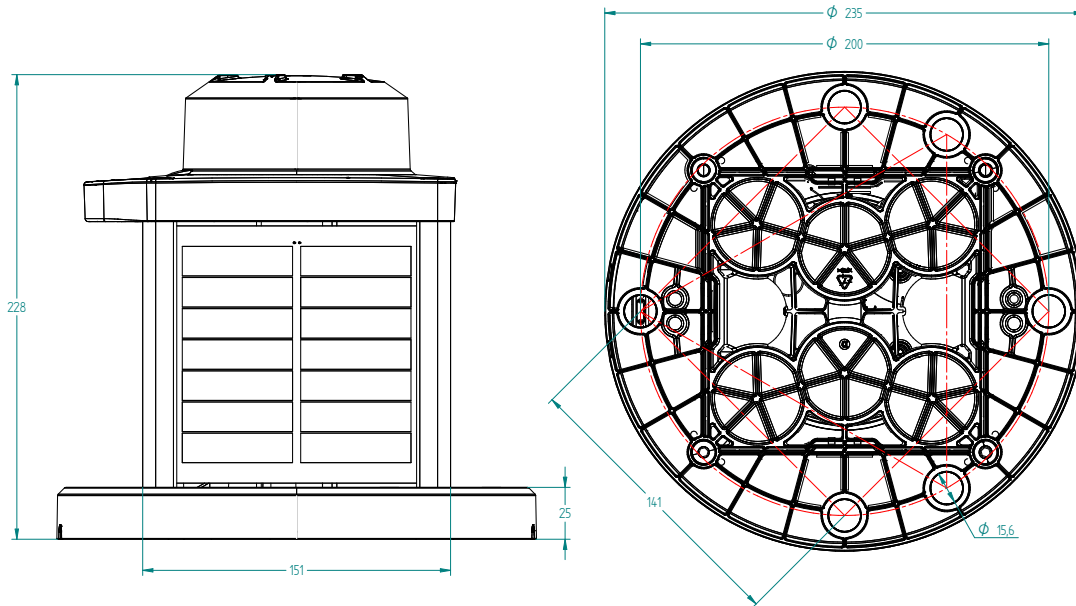


Bird Deterrent
Stainless steel bird deterrent. Five deterrents supplied with option for up to ten per lantern.



Solar Modules
High efficiency cells protected by rugged powder-coated aluminium extrusion.

Technical Specification M850



Optical performance

Maximum fixed intensity				
M850	239 cd	290 cd	445 cd	320 cd

NOTE: Peak IALA intensity dependent on location. To view performance in your installation location, visit www.carmanahmarine.com/selector.

Main Technical Specification

Lens visual/Mechanical diameter	111 mm
Construction	Premium grade, UV resistant polycarbonate lens/head and polycarbonate/polysiloxane co-polymer base
Light source	High Flux Surface Mount LEDs with colour-specific temperature-corrected LED driver
Solar modules	High-efficiency cells; MPPT
Battery	Multiple replaceable, recyclable battery options (refer to options matrix)
Degree of ingress protection	IP 68 immersion
Weight	4.5 kg M850 60X 5.3 kg M850 96E
Overall height	226 mm
Overall width	235 mm dia.
Installation	3, 4, or 5 x M12 on 200 mm dia.

Order Overview M850

Option matrix

Model	Colour Options	Battery	Lens	Control	Charge Port
M850	Red	60X	Standard (8°)	GPS Sync	With External Chargeport
	White				
	Green	96E	Wide (10°)	Non-GPS Sync	Without External Chargeport
	Yellow				

Accessories

71757	M800 Series Standard Bolt Kit
71884	M800 Series Security Bolt Kit (drivers not included)
53288	M800 Series Security Key
53289	M800 Series Security Socket
69885	M800 Series AC/DC 12V-2.5A Charger, International Plug Adapters
69934	Bird Deterrent (single)
69954	M800 Series Battery Replacement Kit - 60 Wh
69955	M800 Series Battery Replacement Kit - 96 Wh
HEAD KIT	M800 Series Head Replacement Kit (please specify colour at time of order)
HEAD KIT GPS	M800 Series GPS Head Replacement Kit (please specify colour at time of order)
69899	Remote Control

Product codes

Colour	M850 60X (with 60Wh battery)	M850 96E (with 96Wh battery)	M850 60X GPS (with 60Wh battery)	M850 96E GPS (with 96Wh battery)
red	M850R-60X	M850R-96E	M850R-60XGPS	M850R-96EGPS
green	M850G-60X	M850G-96E	M850G-60XGPS	M850G-96EGPS
white	M850W-60X	M850W-96E	M850W-60XGPS	M850W-96EGPS
yellow	M850Y-60X	M850Y-96E	M850Y-60XGPS	M850Y-96EGPS