

ConnectPort® WAN Family

Multifunction 3G Wireless WAN Routers

Upgradeable 3G routers provide high performance, secure wireless communications over cellular networks for connecting remote sites and devices.



Overview

The ConnectPort WAN family of upgradeable, commercial-grade 3G cellular routers provides secure high speed wireless connectivity to remote sites and devices. The routers can be used for primary wireless broadband network connectivity to equipment at remote locations, as well as for a backup to existing landlines. Applications include utilities, industrial automation, POS/retail, financial (ATMs), traffic, medical, vehicle, video surveillance and others.

Its upgradeable wireless network platform design provides the flexibility to migrate quickly to future 3G platforms and beyond with supported Type 2 PCMCIA Card slots, PCIExpress modules or PCI Express cards. Also included are RS-232 serial ports for connecting serial devices and built-in 10/100 Ethernet port(s) for connecting multiple network devices.

Digi products can be easily managed via Device Cloud by Etherios™, which provides secure, scalable connectivity for remote management and control of remote devices.

Target Markets



Utilities



Industrial Automation



Retail/POS

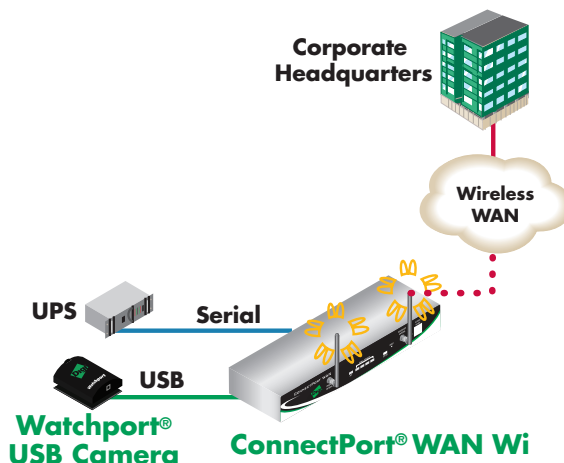


Traffic Management



Medical/Healthcare

Application Highlight



Features/Benefits

- Secure Wireless WAN connection over high-speed cellular networks
- Certified by multiple wireless carriers (see website)
- CDMA EV-DO Rev. A or GSM HSPA/UMTS support
- Upgradeable via enclosed PCMCIA or PCI Express modules
- Standard Ethernet, serial and USB ports; optional Wi-Fi and GPS
- Integrated VPN support
- Python development environment



Features Comparison



ConnectPort® WAN VPN

- 3G high speed upgradeable Wireless WAN cellular router with four 10/100 Ethernet ports, 2 RS-232 serial ports and integrated IPsec VPN client/server for true end-to-end data protection.

ConnectPort® WAN GPS

- 3G high speed upgradeable cellular router with GPS capability.
- Provides secure wireless connectivity to remote sites and devices.
- Allows efficient tracking of mobile workforce location.

ConnectPort® WAN Express

- 3G high speed upgradeable Wireless WAN cellular router with integrated IPsec VPN client/server for true end-to-end data protection.
- Support for PCI Express Cards/fully enclosed for security and durability (PCI Express Card antenna ported to standard SMA connector on outside of enclosure).

ConnectPort® WAN Wi (Ad Hoc)

- 3G high speed upgradeable cellular router with support for Wi-Fi (802.11b/g) technologies.
- Provides secure high speed wireless connectivity to remote sites and devices.
- Operates in Wi-Fi ad hoc (or peer-to-peer) mode to provide local networking as well as the ability to act as an Internet gateway for multiple devices.

Specifications

ConnectPort® WAN VPN

ConnectPort® WAN Wi

ConnectPort® WAN GPS

ConnectPort® WAN Express

Interfaces

| Ethernet | | | | |
|----------------|----------------------------|---------------------|---------------------|----------------------|
| Ports | 4 RJ-45 switch ports | 1 RJ-45 switch port | 1 RJ-45 switch port | 4 RJ-45 switch ports |
| Standard | IEEE 802.3 | | | |
| Physical Layer | 10/100Base-T | | | |
| Data Rate | 10/100 Mbps (auto-sensing) | | | |
| Mode | Full or Half duplex | | | |

| Serial | | | | |
|----------------|-----------------------------------|---------------|---------------|----------------|
| Ports | 2 RS-232 DB-9M | 1 RS-232 DB-9 | 1 RS-232 DB-9 | 2 RS-232 DB-9M |
| Throughput | Up to 230 Kbps | | | |
| Signal Support | TXD, RXD, RTS, CTS, DTR, DSR, DCD | | | |
| Flow Control | Hardware and Software | | | |

| USB | |
|-------|--|
| Ports | 2 Type A connectors (see www.digi.com for list of supported USB devices) |

| Cellular (Upgradable Interfaces) | |
|----------------------------------|---|
| PCI Express Module | Rev A EV-DO (Sprint/Verizon): DualBand 800/1900 MHz with RX Diversity 3.6 HSDPA: UMTS/HSDPA/HSUPA 850/1900/2100 MHz; GSM GPRS/EDGE 850/950/1800/1900 MHz |
| PCI Express Card | Sony Ericsson EC400 / EC400g Antenna: 1 or 2 external 50 ohm SMA (Center pin - on device: female; on antenna: male) See model # at www.digi.com for antenna count. |

| Wi-Fi | |
|----------------------|---|
| Standard | IEEE 802.11b/g |
| Frequency | 2.4 GHz |
| Data Rate | Up to 54 Mbps with automatic rate fallback |
| Transmit Power | 15 dBm ± 2 dBm |
| Receiver Sensitivity | -71 dBm @ 54 Mbps; -81 dBm @ 11 Mbps; -88 dBm @ 6 Mbps; -93 dBm @ 1 Mbps |
| WLAN Security | 64/128-bit WEP encryption (RC4); WPA/WPA2/802.11i; 128-bit TKIP/CCMP (AES) encryption; Enterprise mode (802.1x): LEAP (WEP only), PEAP, TTLS, TLS; GTC, MD5, OTP, PAP, CHAP, MSCHAP, MSCHAPv2, TTLS-MSCHAPv2; Pre-shared key mode (PSK) |
| Antenna | 1 external 50 ohm RP-SMA (Center pin - on device: male; on antenna: female) |

| GPS | |
|-----------------------|--|
| Accuracy | 2.5 m CEP |
| NMEA Protocol Support | 148 dBm acquisition sensitivity |
| Acquisition Time | 36 seconds (on cold start) |
| Update Rate | 4 Hz max |
| Antenna | 1 external 50 ohm SMA (Center pin - on device: female; on antenna: male) |

| Features | |
|------------------------|---|
| Network Protocols | UDP/TCP, DHCP |
| Status LEDs | Ethernet, Power on, Cellular link/activity, Signal strength (4 bars) |
| Software | Device-initiated patented RealPort COM port redirector and RFC 2217; Python scripting; Custom development environment |
| Security | SSL, SSL/TLS, SSHv2, FIPS 197 (serial port) |
| Dimensions (L x W x H) | 7.75 in (19.7 cm) x 4.11 in (10.40 cm) x 1.30 in (3.30 cm) |
| Weight | 1.40 lb (0.64 kg); 1.50 lb (0.68 kg) with a module |

Specifications

ConnectPort® WAN VPN

ConnectPort® WAN Wi

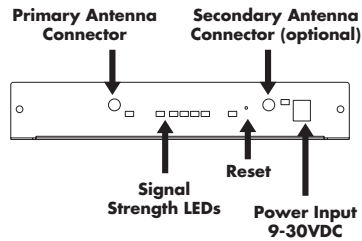
ConnectPort® WAN GPS

ConnectPort® WAN Express

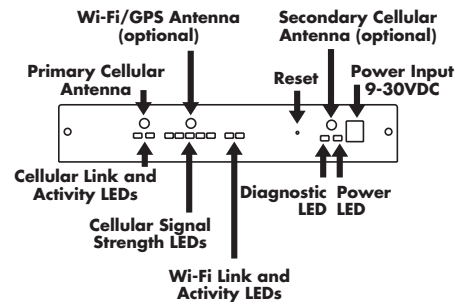
Features - Continued

| | |
|---|---|
| Router/Firewall Features | NAT, NAT-T (NAT traversal) VPN tunneling, Port forwarding, Access control lists (IP filtering), IP pass-through, Virtual Router Redundancy Protocol (VRRP) per RFC 3768 |
| VPN Features | IPsec with IKE/ISAKMP; Multiple tunnel support; DES, 3DES and up to 256-bit AES Encryption, Simple Certificate Enrollment Protocol (SCEP) for X.509 certificates; VPN pass-through, GRE Pass-through, NAT-T |
| Management | HTTP/HTTPS, CLI or SSH, Telnet; Optional secure enterprise management via Device Cloud |
| Power Requirements | |
| Power Input | 9-30 VDC |
| Power Supply | 12 VDC power supply for 0° C to 60° C (32° F to 140° F) with locking barrel connector included; Extended temperature power supply available |
| Power Consumption | Idle: 3.1 W; Max: 11.5 W |
| Surge Protection | 4 kV burst (EFT) per-4-4; 2 kV surge per EN61000-4 |
| Environmental | |
| Operating Temperature | -30° C to +75° C (-22° F to +167° F) (reduced cellular performance will occur above 60° C) NOTE: Only applicable to devices shipping with embedded module |
| Relative Humidity | 5 to 95% (non-condensing) |
| Ethernet Isolation | 1500 VAC min per IEEE 802.3/ANSI X 3.263 |
| Serial Port Protection (ESD) | +15 kV air gap and +8 kV contact discharge per IEC 1000-4-2 |
| Approvals | |
| Safety | UL 60950, CSA 22.2 No. 60950, EN60950 |
| Emissions/Immunity | CE, FCC Part 15 Subpart B Class A, AS/NZS CISPR 22, EN55024, EN55022 Class A |
| Mobile Certifications - CDMA/EV-DO | CDG, TIA/EIA-690, TIA/EIA-98-E |
| Mobile Certifications - GSM/UTMS | PTCRB, NAPRD.03, GCF-CC, R&TTE, EN 301 511 |

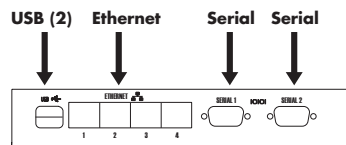
ConnectPort WAN VPN/Express - Front



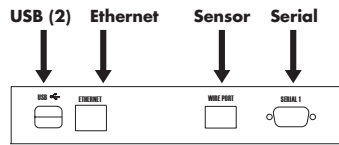
ConnectPort WAN Wi/GPS - Front



ConnectPort WAN VPN/Express - Back



ConnectPort WAN Wi/GPS - Back



Visit www.digi.com for part numbers.

DIGI SERVICE AND SUPPORT - You can purchase with confidence knowing that Digi is here to support you with expert technical support and a strong five-year warranty. www.digi.com/support

91001355
D4/513

**Digi International
Worldwide HQ**

877-912-3444
952-912-3444

**Digi International
France**

+33-1-55-61-98-98
www.digi.fr

**Digi International
Japan**

+81-3-5428-0261
www.digi-intl.co.jp

**Digi International
India**

+91-80-4287-9887

**Digi International
Singapore**

+65-6213-5380

**Digi International
China**

+86-21-5150-6898
www.digi.cn

BUY ONLINE • www.digi.com

© 2005-2013 Digi International Inc.
All rights reserved. Digi, Digi International, Etherios, the Digi logo, the Device Cloud by Etherios logo, ConnectPort, Digi Connect, Digi SureLink, RealPort, Device Cloud by Etherios and Watchport are trademarks or registered trademarks of Digi International Inc. in the United States and other countries worldwide. All other trademarks are the property of their respective owners. All information provided is subject to change without notice.

info@digi.com



Distributor: Sartelco® Sistemi srl - Italy e-mail: sistemi@sartelco.it - website: www.sartelco.it