

# SMP-X WLAN MiMo

Indoor-Outdoor Compact Directional Cross Polarized  
(WLAN 2.4, WLAN 5.5)

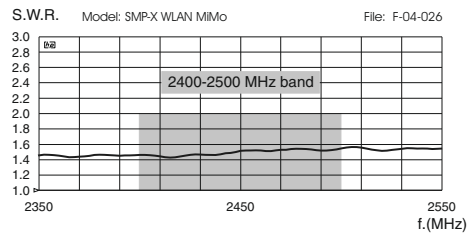


## MAIN FEATURES

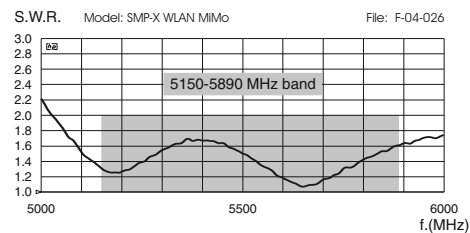
- Very compact directional panel antenna
- 2x dual band cross polarized antennas in single case
- Suitable for indoor and outdoor use
- Working on WLAN frequency
- Designed for MiMo 2x2 technology
- Easy and quick installation on the mast or on the wall
- Fully designed & Manufactured in Italy

*Installation Manual*

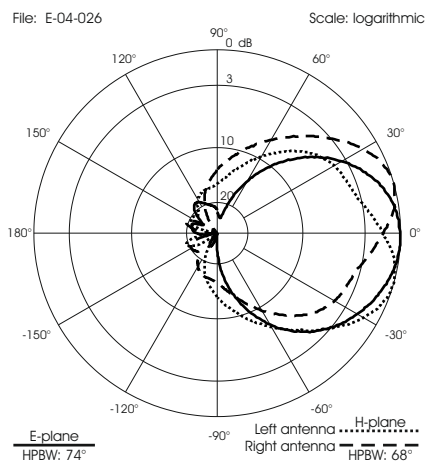
TYPICAL S.W.R. RESPONSE



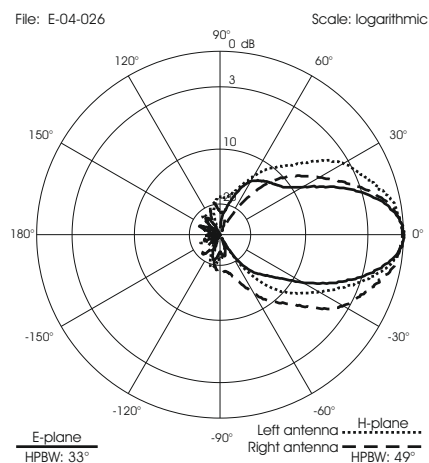
TYPICAL S.W.R. RESPONSE



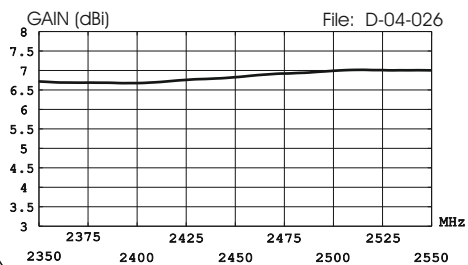
TYPICAL RADIATION PATTERN at 2450 MHz



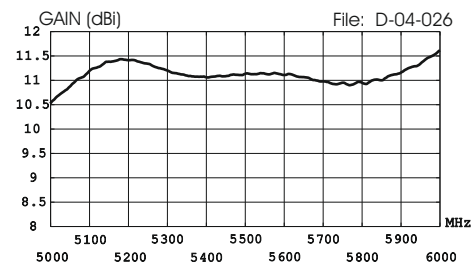
TYPICAL RADIATION PATTERN at 5500 MHz



TYPICAL GAIN DIAGRAM vs FREQUENCY



TYPICAL GAIN DIAGRAM vs FREQUENCY



## SPECIFICATIONS

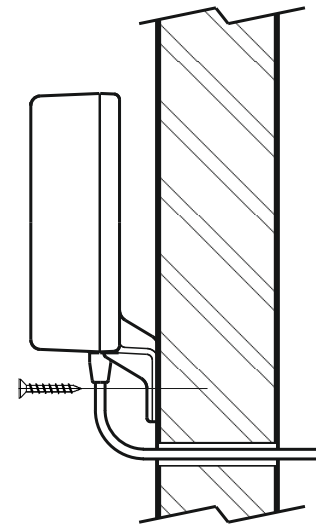
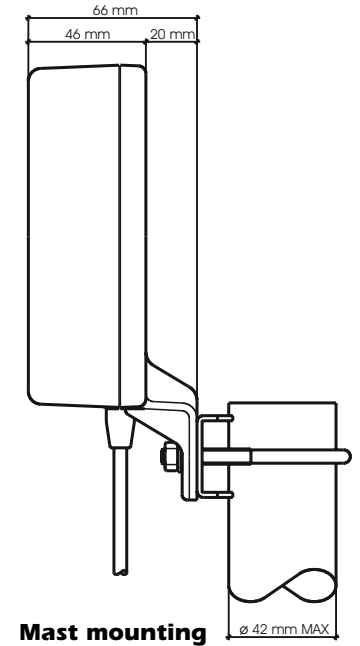
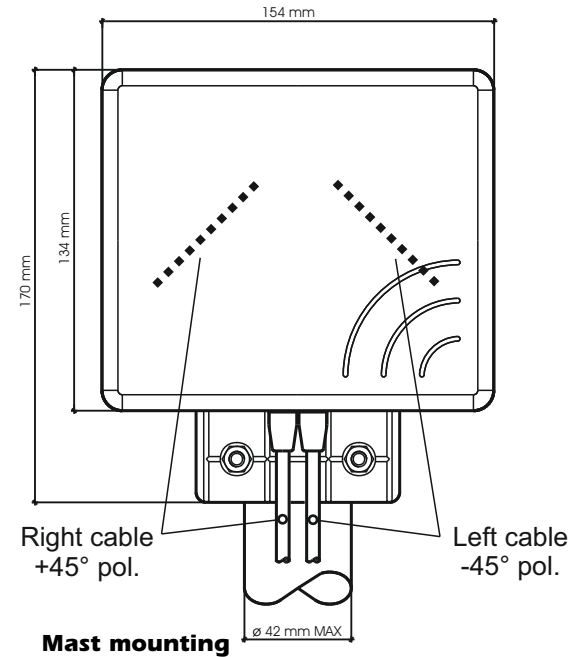
### Electrical Data

Type	Directional mini panel - 2 wideband elements
Frequency Range (each element)	2400-2500 MHz & 5150-5890 MHz @ SWR ≤ 2
Impedance	50 Ω
Half Power Beam Width	see Typical Radiation Patterns
Polarization	Dual Polarization +45 deg and -45 deg
Max gain (each element)	7 dBi @ 2400-2500 MHz 11.4 dBi @ 5150-5890 MHz
Front to back ratio (each element)	≥ 15 dB @ 2400-2500 MHz ≥ 20 dB @ 5150-5890 MHz
Correlation coefficient	< 0.05 for all bands
Element Isolation (each element)	≥ 18 dB @ 2400-2500 MHz ≥ 35 dB @ 5150-5890 MHz
Max Power @ 30°C ambient (each element)	20 Watts (CW) @ 2400-2500 MHz 8 Watts (CW) @ 5150-5890 MHz
Cable Type / Length	2 x White LOW LOSS / 30 cm (other lenght on request)
Connector	2 x SMA-male (other type on request, acc min q.ty)

### Mechanical Data

Materials	RAL 7035 Light Grey thermoplastic UV stabilized, galvanized steel
Wind Load @150 km/h	40 N
Wind Resistance	180 Km/h
Wind Surface	0.02 m <sup>2</sup>
Operating temperature	-40°C to + 80°C
Dimensions (approx.)	154 x 134 x 46 mm without bracket
Weight (approx.)	420 gr
Ingress Protection	IP 54
Installation Type	Mast: Ø25-42 mm with U-bolt (included) Wall: mounting screw (not included)

## MOUNTING INSTRUCTIONS



**SIRIO**  
antenne

HI-QUALITY ANTENNAS MADE IN ITALY