






433MHz Antenna

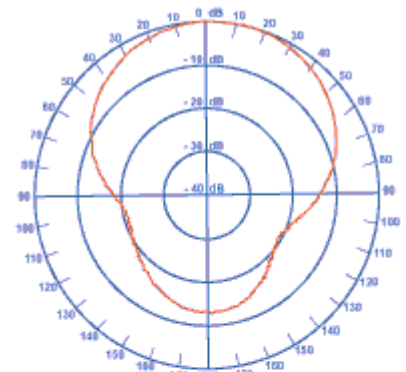
SLENDER I Ref ACIOM05

-  **Outdoor Application**
-  **Semi directional**
-  **+8 dBi Gain**
-  **- 15dB rear attenuation**
-  **ABS anti UV cabinet**

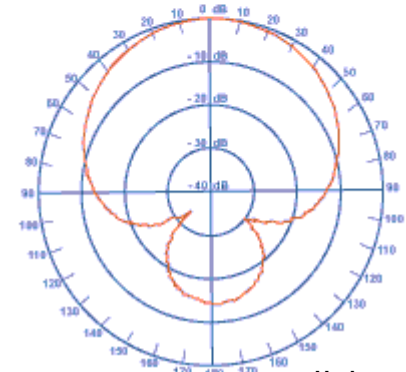


Electrical Data		
435 MHz radiation	Effective electrical length	0.06 λ
	Isotropic gain	8.0 dBi
Aperture angle @ -3dB	E plane	2 x 38.2°
	H plane	2 x 41.2°
	First side lobe set E and H plane	-
Rear protection		-15 dB
Average stray radiation	E plane	-20 dB
	H plane	-20 dB
Bandwidth	Gain @ -1dB	425 to 445 MHz
	Normal impedance	50 Ω

Radiation diagram



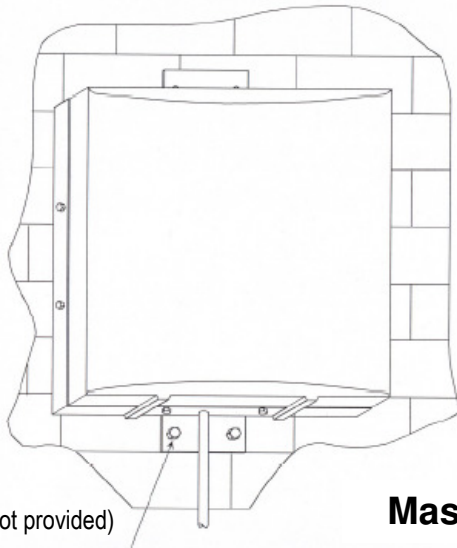
E plane



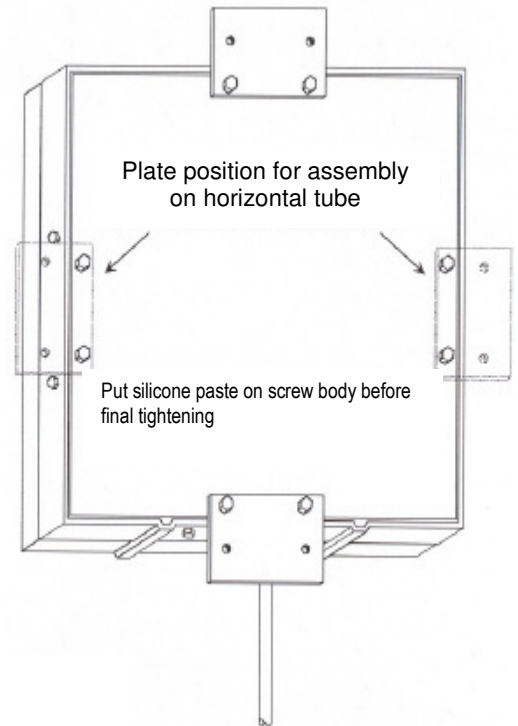
H plane

Mechanical Data		
Connector	SMA	
Overall length	300 x 300 x 50 mm	
Mass	1.5 Kg	
Effective wind load	0.11 m ²	
Approximate wind load (25 m/s – 55 mph)	4.1 daN	
Approximate wind load (45 m/s – 100 mph)	13.3 daN	

Wall Assembly



Rear side



Mast Mounting

