

## Active RFID Readers

### SCIEL READER IP2

Ref. SCIBT68

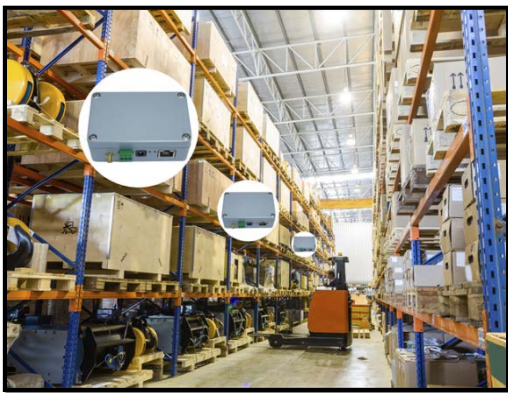


### SCIEL READER WF2

Ref. SCIBT69



- ⦿ Powerful "Active RFID gateway" your Ethernet local network or your WIFI network
- ⦿ Compact and robust aluminium housing dedicated for the industrial applications
- ⦿ Integrated PoE feature for the SCIEL READER IP2
- ⦿ Multiples IP protocols supported for the network management with your LAN / WIFI network
- ⦿ [Available in IP68 Waterproof version](#)



Technical specifications	
External power supply	9-48 VDC
Average current	150 mA max
Frequency	433,92 MHz (868MHz version: SCIEL READER IP2H or SCIEL READER WF2H)
Receiving range	Adjustable by software command. Up to 150m (depending on external antenna)
Operating temperature	-20°C to +60°C
Supported IP protocols (network admin)	TCP/IP, UDP/IP, ARP, Telnet, ICMP, SNMP, DHCP, BOOTP, TFTP, AutoIP, HTTP
Settings	Device Installer software (IP network settings) & ETER configuration software (Active RFID settings) running under Windows XP, W7, W8
RFID antenna connector	SMA-F
Power supply connector	2.1 mm power jack plug 3.81mm pitch screw connector
DEL indicators	Power (yellow), frame receipt (blinking yellow) Ethernet / WIFI connection (blue) On the Ethernet port: network speed (green), network communication (yellow)
Housing	Aluminium with anti-oxydation paint – 98 x 64 x 36 mm
IP waterproof	IP52
Standards	EN 301 489 – 3 : 2002 V1.4.1 ; EN 300 220 – 2007 : V2.1.2 ; CE ; RoHS certified
<b>ETHERNET VERSION</b>	
Output interface	Ethernet 10Base-T or 100Base-TX (Auto-sensing) Open collector output (0.1A, 30V)
PoE feature (Power over Ethernet)	Fully Compliant IEEE 802.3af PD Interface
Ethernet connector	RJ45 Ethernet
Accessories	1.5m RJ45 cable included SMA-M BNC antenna converter included Mini straight RFID 433MHz antenna included Male Power Supply removable connector included DIN RAIL mounting clip – DIN CLIP01 (not included)
<b>WIFI VERSION</b>	
Output interface	WLAN interface - IEEE 802.11 b/g/n (2.4 GHz only) Open collector output (0.1A, 30V)
WIFI antenna connector	SMA-F-RP
Accessories	Black articulated WIFI antenna integrated SMA-M BNC antenna converter included Mini straight RFID 433MHz antenna included Male Power Supply removable connector included DIN RAIL mounting clip – DIN CLIP01 (not included)

## Active RFID Readers IP68 Waterproof version

### SCI EL READER IP2E

Ref. SCIBT70

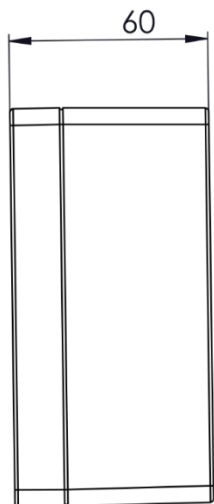


### SCI EL READER WF2E

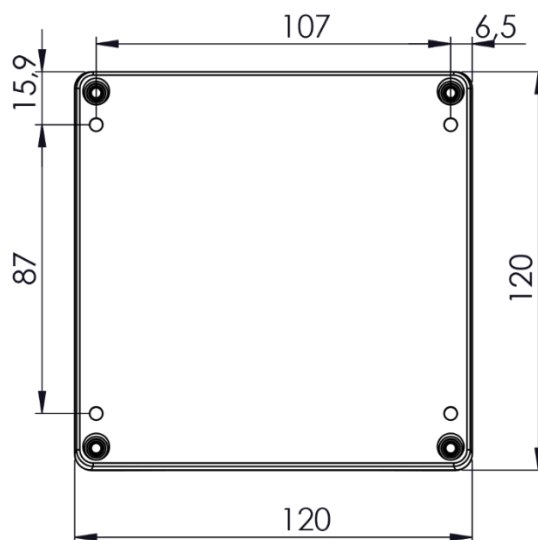
Ref. SCIBT69



Mechanical Specifications (in mm)

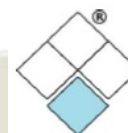


Lateral section



Cover

Technical specifications	
Housing	ABS
IP Waterproof	IP68
Total weight	660 g
Standards	EN 301 489-3 : 2002V1.4.1 EN 300 220-2007 : V2.1.2 CE ; Certifié RoHS



**SARTELCO® SISTEMI SRL**

Via Torri Bianche, 1  
20871 Vimercate (MB)

Tel. +39- 039- 62905.1 Fax. +39- 039- 62905.99  
e-mail sistemi@sartelco.it Web [www.sartelco.it](http://www.sartelco.it)