

Classified according to IEC 61400-12-1 Edition 2.0 (2017-03)

Intelligent optically-scanned cup anemometer

Thies First Class Advanced X is classified acc. to IEC 61400-12-1 Ed. 2.0 (2017-03). It has been designed to measure:

- Horizontal wind speed
- Absolute and relative air pressure
- Inclination X, Y and Z
- Acceleration, frequency and amplitude of vibration measurement in X, Y and Z

The anemometer is designed for measuring of wind resources for assessment reports and power curves. The sensor is characterized by minimal deviation from cosine line, optimized dynamic behavior even at highly intense turbulences, minimal overspeeding, low starting value and optimized oblique inflow behavior. It requires only low maintenance thanks to its low-inertia and ball-bearing cup star. For winter operation the electronically regulated heating guarantees smooth running of the ball bearings and prevents icing of shaft and slot.



Intelligent correction of measurement values

The sensor integrates an automatic correction of the wind speed measurement value depending on air pressure. The revolutions per minute (rpm) of the cup star depend on air density and thus on air pressure. The correction is implemented for 700 ... 1100 hPa. The anemometer output covers both original and corrected measurement values.

Calibration

Wind speed is determined by the linear function of the frequency output f:

$$\text{wind speed [m/s]} = \text{slope [m]} \times f \text{ [Hz]} + \text{offset [m/s]} \quad (\text{Manufacturer instructions: Slope} = 0.0462 \text{ m, Offset} = 0.21 \text{ m/s})$$

For wind resource assessment, anemometers have to be calibrated acc. to MEASNET. Thies First Class Advanced X can save slope and offset values determined during calibration. Thus no further corrections have to be made. We recommend calibrating anemometers in the wind tunnel of Ammonit Wind Tunnel GmbH (ammonit-windtunnel.com).

Classification acc. to IEC 61400-12-1 Edition 2.0 (2017-03)

The direct influence of air density was measured using a specially designed variable air density wind tunnel, instead of calculating the influence of air density by using torque measurements.

	Class A	Class B	Class C	Class D
Heating ON	0.65	0.9	0.7	0.9
Heating OFF	1.1	1.8	3.3	3.3

Source: Summary report AK 151023-1.1 Cup Anemometer Classification, Deutsche WindGuard Tunnel Services GmbH, Varel, Germany, 2017.

Operational standard uncertainty acc. to IEC 61400-12-1

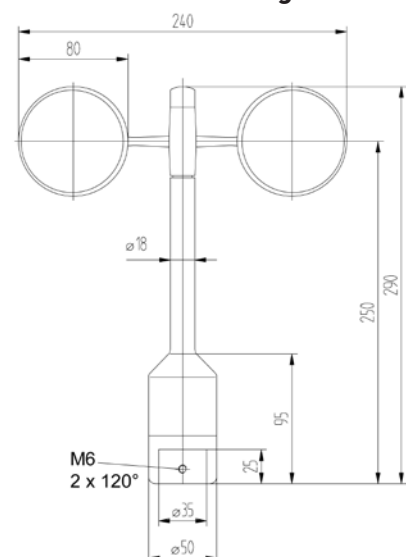
The operational standard uncertainty describes the maximum deviation of the wind speed measured by the anemometer compared with the real wind speed. The table indicates the operational standard uncertainty at 10 m/s:

	Class A	Class B	Class C	Class D
Heating ON	0.04 m/s	0.05 m/s	0.04 m/s	0.05 m/s
Heating OFF	0.06 m/s	0.10 m/s	0.19 m/s	0.19 m/s

Linearity (MEASNET)

The MEASNET required linearity for anemometers is $r > 0.99995$. The Thies First Class Advanced II offers $r > 0.99999$ (4 ... 20 m/s).

Dimensional drawing



Specification

Characteristics	
Physical functionality	Optically-scanned cup anemometer
Delivered signal	Frequency output (pulse) and RS485 (Modbus)
Accuracy	
Accuracy wind speed	$\pm 1\%$ of measured value or $< \pm 0.2$ m/s @ 0.3 ... 50/s
Accuracy housing temperature	$\pm 1^\circ$ (Measurement range: $-40 \dots +80$ °C)
Accuracy air pressure	± 1 hPa @ 20°C (Measurement range: 300 ... 1100 hPa)
Accuracy inclination (X, Y, Z)	$\pm 1^\circ$ (Measurement range: $-89.9^\circ \dots +89.9^\circ$)
Accuracy vibration (X, Y, Z)	± 0.4 Hz (Measurement range: 0 ... 50 Hz)
Accuracy acceleration	± 30 mg (Measurement range: ± 8 g)
Linearity	Correlation factor r between frequency f and wind speed y $r > 0.99999$ (4 ... 20 m/s)
Starting velocity	< 0.3 m/s
Resolution	0.05 m wind run
Distance constant	< 3 m (acc. to ASTM D 5096 - 96) 3 m acc. to ISO 17713-1
Turbulent flow into cups	Deviation Δv turbulent compared with stationary horizontal flow $-0.5\% < \Delta v < +2\%$ Frequency < 2 Hz
Wind load	Approx. 100 N @ 75 m/s
Operating range	
Measuring range	0.3 ... 75 m/s
Survival speed	80 m/s (mind. 30 min)
Permissible ambient conditions	$-40 \dots +80$ °C, 0 ... 100% RH including condensation
Electrical data	
Output signal (frequency)	Form rectangle, 1090 Hz @ 50 m/s, supply voltage max. 15 V
Output signal (RS485)	Modbus protocol, bus-compatible Half duplex, data format: 8N1 Baud rate: 2400, 4800, 9600, 19200, 38400, 57600
Electrical supply for optoelec. scanning	Voltage: 3.7 ... 42 VDC (galvanic isolation from housing)
Electrical supply for heating (only S11200H)	Voltage: 24 V AC/DC (galvanic isolation from housing) Idling voltage: max. 30 VAC, max. 42 VDC Power consumption: 25 W
General	
Connection	8-pole plug-connection for shielded cable in the shaft
Mounting	on mast tube R1"
Dimensions	290 x 240 mm
Fixing boring	35 x 25 mm
Weight	approx. 0.5 kg
Material	Housing: Anodised aluminium Cup star: Carbon-fibre-reinforced plastic
Type of bearings	Metallic ball bearings
Protection	IP 55 (DIN 40050)
Patent	EP 1 398 637, DE 103 27 632, EP 1 489 427
EMC	EN 61000-6-2, EN 61000-6-3, EN 61010-1, EN 50581
Manufacturer	Thies
Accessory	Module set M83575 (incl. isolated repeater)

Sensor connection to Ammonit Meteo-40 data logger

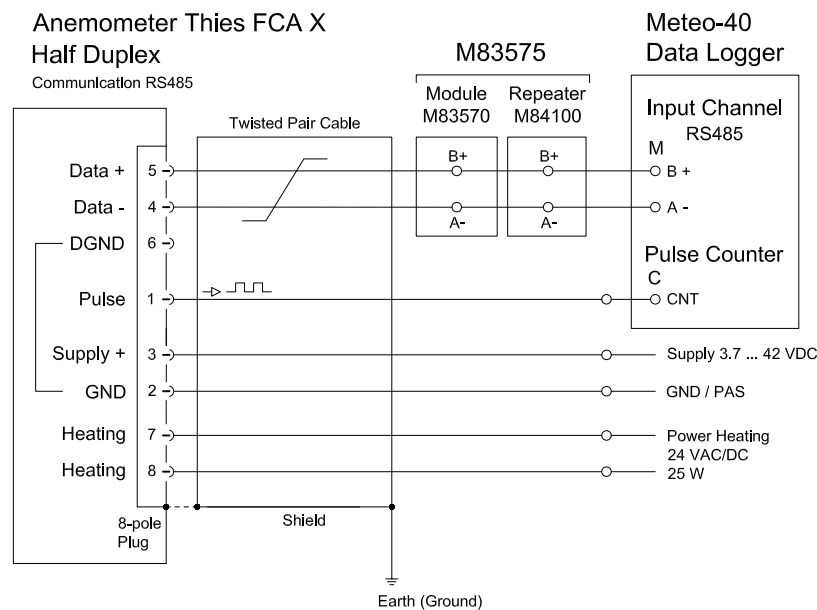
Sensor	Plug Pin No.	Ammonit Cable Wire Colour	Meteo-40	Supply Sensor
Pulse	1	green	CNT	
Data +	5	white	B+	
Data -	4	brown	A-	
Supply +	3	pink		3.7 ... 42 VDC*
GND	2	grey		GND / PAS
Heating	7	red		24 VAC/DC (25 W)
	8	blue		

* Supply voltage for usage with Meteo-40 data loggers.

Cable type without heating: LiYCY 3 x 2 x 0.25 mm²

Cable type with heating wires: LiYCY 4 x 2 x 0.5 mm²

Sensor connection diagram to Ammonit Meteo-40 data logger

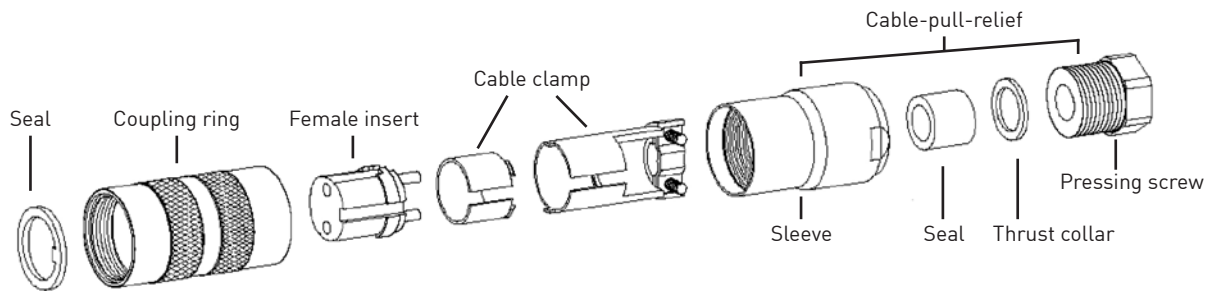


Connection recommendations for the cable shield

Sensor carrier	Sensor	Shielding / Ground
Metallic met mast, grounded	Non-isolated mounting on the met mast (e.g. by using metallic brackets, holders, etc.)	Connect cable shield only at the side of the data logger to ground.
Metallic met mast, grounded	Isolated mounting at the met mast (e.g. by using non-metallic brackets, holder etc. or metallic brackets, holders etc. with isolated plastic adapters)	Connect cable shield at sensor plug and at the side of the data logger to ground.
Metallic met mast, non-grounded	Non-isolated mounting on the met mast (e.g. by using metallic brackets, holders etc.)	Connect cable shield at sensor plug and at the side of the data logger to ground.

Plug and cable assembly

Coupling socket, Type: Binder, Serial 423, EMC with cable clamp



Cable connection: WITH cable shield

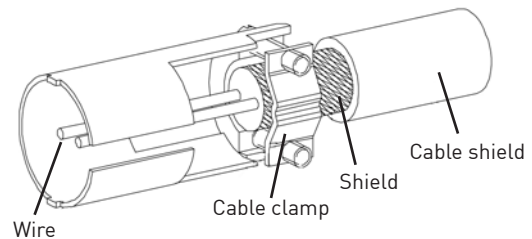
1. Stringing parts on cable acc. to plan given above.
2. Stripping cable sheath 20 mm
Cutting uncovered shield 15 mm
Stripping wire 5 mm

A) Putting shrink hose or insulation tape between wire and shield

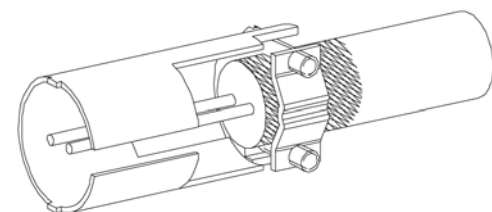
B) If cable diameter permits, put the shield backward on the cable sheath.

3. Soldering wire to the insert, positioning shield in cable clamp.
4. Screwing-on cable clamp.
5. Assembling remaining parts acc. to plan above.
6. Tightening pull-relief of cable by screw-wrench (SW16 and 17).

A)

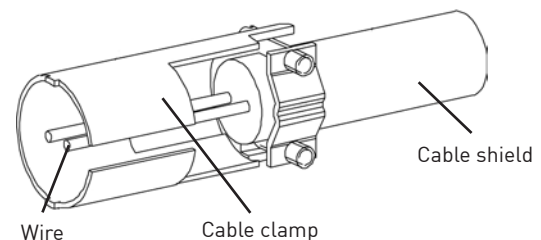


B)



Cable connection: WITHOUT cable shield

1. Stringing parts on cable acc. to plan given above.
2. Stringing cable sheath 20 mm
3. Cutting uncovered shield 20 mm
4. Stripping wire 5 mm
5. Soldering wire to the insert.
6. Positioning shield in cable clamp.
7. Screwing-on cable clamp.
8. Assembling remaining parts acc. to plan above.
9. Tightening pull-relief of cable by screw-wrench (SW 16 and 17).



Anemometer Thies First Class Advanced X

S11200 / S11200H

Abstract: Summary of cup anemometer classification

According to IEC 61400-12-1 Edition 2.0 [2017-03] Classification Scheme

Reference:

Deutsche WindGuard Wind Tunnel Services GmbH AK 151023-1.1

Measuring period: 04.2014 - 05.2017

Test site: Varel, Germany

Wind Tunnel: Deutsche WindGuard Wind Tunnel Services GmbH, Varel

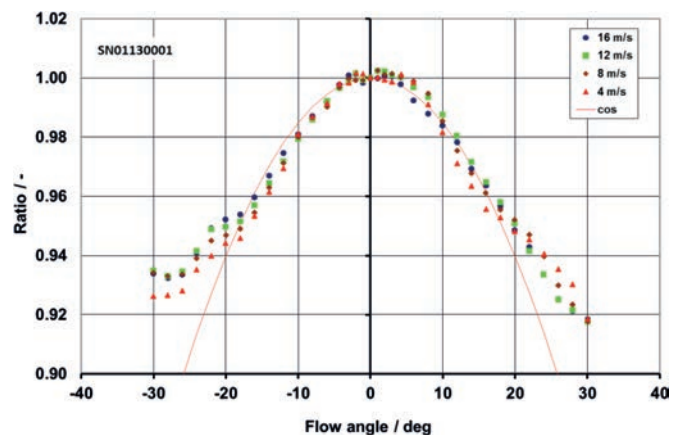
Tilt Angular Response

According to:

- IEC 61400-12-1 Edition 2.0
Wind Turbine Power Performance Testing 2017-03
- WindGuard Quality System Procedure for Calibration of Wind Speed Sensors at non-horizontal inflow conditions: D 5832

Result:

Figure showing the of axis response of Thies First Class Advanced X anemometer for wind tunnel speeds of 4 m/s, 8 m/s, 12 m/s and 16 m/s.



Class A Classification

According to:

- IEC 61400-12-1 Edition 2.0
Wind Turbine Power Performance Testing 2017-03

Influence parameter range:

Wind speed range:	V = 4 ... 16 m/s
Turbulence intensity range:	0.03 - 0.12+0.48/V
Turbulence structure:	1.0/0.8/0.5
Air temperature:	0 ... +40 °C
Air density:	0.9 ... 1.35 kg/m ³
Flow angle:	-3° ... 3°
Wind simulation:	Kaimal wind spectrum with longitudinal turbulence length scale of 350m

Result:

Classification Index: **A 0.65** (Internal shaft heating: On)

Classification Index: **A 1.10** (Internal shaft heating: Off)

Source: Summary of Cup Anemometer Classification, Adolf Thies GmbH & Co.KG, Deutsche WindGuard Wind Tunnel Services GmbH, Varel, 2017.

